

Compact, lightweight centrifugal pump of plastic for clean, turbid or dirty fluids

Technical data

- Delivery rate
 $Q_{\max} = 30 \text{ l/min}$
- Delivery head
 $H_{\max} = 4 \text{ m}$
- Temperature range
 $0 \text{ °C to } +60 \text{ °C}$

Product features

- Centrifugal pump, 1-stage model
- Open impeller
- Port dimensions to DIN EN 12157
- Immersion depths 90 mm, 120 mm
- Weight: 2.5 kg
- Three-phase or single-phase motor



Main applications

- Humidifiers, air conditioning
- Sawing machines
- Stone saws
- Grinding machines
- Cooling systems
- Machine tools
- etc.

Fluids delivered

- Emulsions, also with chemical additives
- Low-viscosity oils
- Various qualities of water
- etc.

Design features

- Vertical Installation
- G 1/2 male thread
- Direction of rotation: counterclockwise as viewed from above looking down on ventilation side of the motor.

Options

- Extension tube up to 50 mm (if immersion depth deviates from standard)
- Thermal circuit breaker in the winding or thermistor
- Equipped with capacitor and mains plug, completely prepared for single-phase AC

Mechanical design

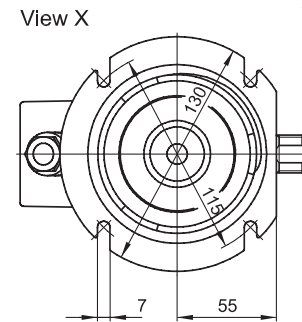
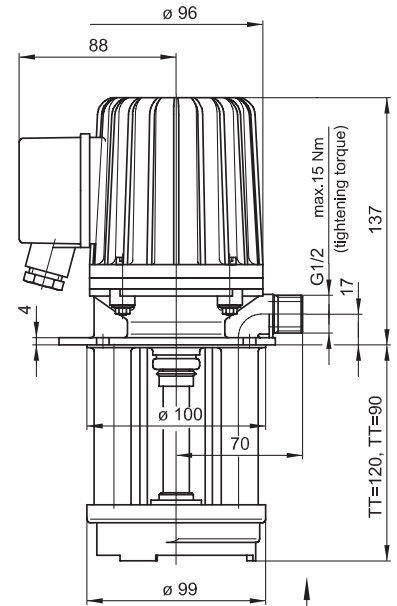
Component	PR4 type of machine	PR4/A901 type of system
Motor housing	aluminum	aluminum
Pump support	PPN	PPN
Pump bottom	PPN	PPN
Impeller	POM/GF	POM/GF
Shaft	ETG	Stainless steel, W.-No. 1.4122
Antifriction bearings	Radial deep-groove ball bearing with two side plates (2 Z); with permanent lubrication	Radial deep-groove ball bearing with two side plates (2 Z); with permanent lubrication
Splash guard	Splash ring above pump chamber	Splash ring above pump chamber Plus: splash ring underneath flange, V-ring underneath lower ball bearing

Electrical data

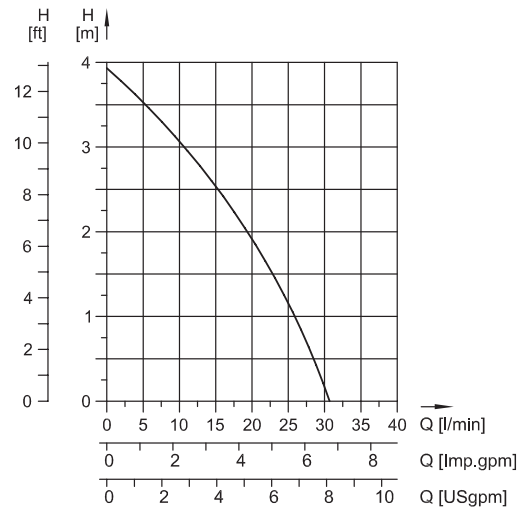
Rated frequency [Hz]	Rated voltage Δ / Y [V]	Rated current Δ / Y [A]	Rated power [kW]	Rated speed [rpm]
50	230 / 400	0.33 / 0.19	0.05	2730
60	230 / 400	0.33 / 0.19	0.05	3300

Degree of protection: IP 54 Motor: DU 56.2005
 Insulation class: F.B Noise level: 46 dB(A)
 CE mark

Please note: All equipment may only be installed and/or assembled by qualified personnel. Observe existing safety regulations. To avoid errors please consult our operating instructions.



Characteristic for 50 and 60 Hz



The data apply to fluids with a viscosity of 1 mm²/s at a density of 1 kg/dm³



Willy Vogel AG
 Motzener Strasse 35/37
 12277 Berlin, Germany
 P.O. Box 970444 · 12704 Berlin
 Tel. +49 (0) 30 - 720 02-0
 Fax +49 (0) 30 - 720 02-111
 info@vogel-berlin.de
 www.vogelag.com

Spandau Pumps and Motors:

- Immersion pumps
 - Block pumps
 - Screw pumps
 - High-pressure pumps
 - Inline pumps
 - Electric motors to DIN EN 60034, to UL or CSA regulations
- Pump models of metal or plastic, flameproof pumps