

## PXK – the compact version

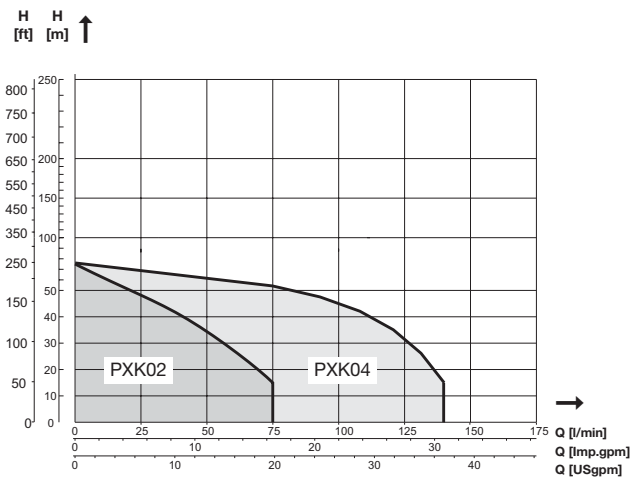


- Delivery rate  
 $Q_{\max} = 185 \text{ l/min}$
- Delivery head  
 $H_{\max} = 70 \text{ m}$
- Temperature range  
 $-10 \text{ }^{\circ}\text{C}$  to  $+90 \text{ }^{\circ}\text{C}$

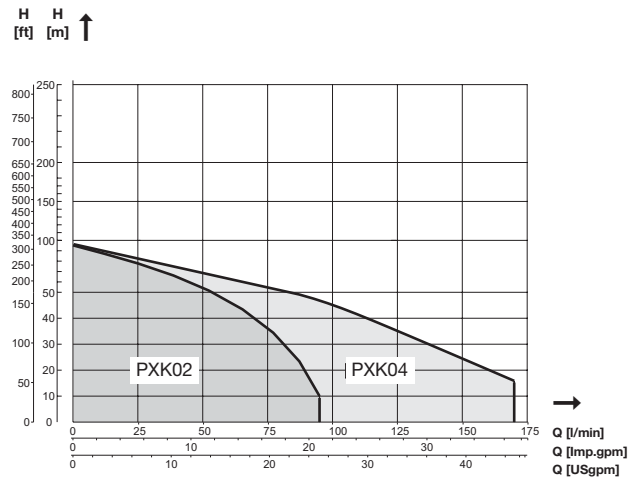
- Compact version, specially designed for use in tight spaces
- Small motor dimensions – just 226 mm
- Disconnectable pump and motor shaft
- Hydraulic components taken from the PX modular system

## Power range

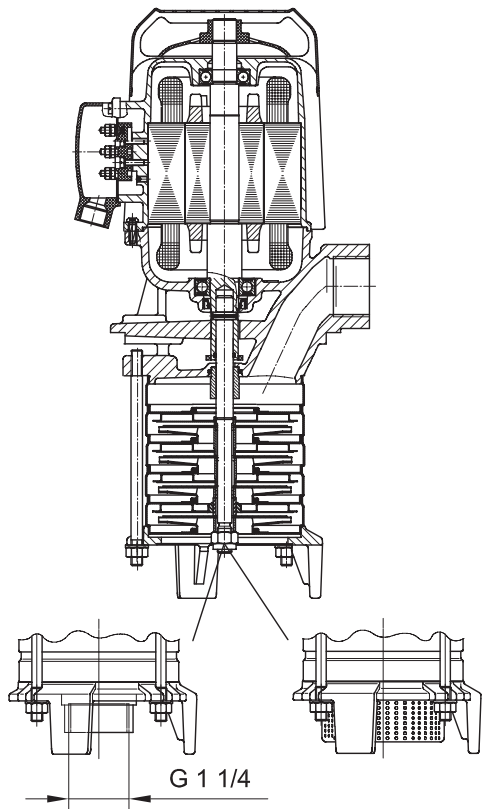
### Performance data for 50 Hz



### Performance data for 60 Hz



## Mechanical design



Bottom for  
extension tube

with intake strainer

Components	Material
Pump port	GCI 25
Pump shaft	stainless steel 1.4305
Intern. chamber	stainless steel 1.4301
Impeller	stainless steel 1.4301
Shaft bearing	Al-oxide/tungsten carbide
Secondary seals	FPM
Tie-rod	stainless steel 1.4057
Pump bottom	GCI 25
Gap bush alternative: mechanical seal	Sint-St Carbon/SiC/FPM

Accessories	Material
Intake strainer	stainless steel 1.4301
Bottom for extension tube	stainless steel 1.4301
Extension tubesteel	

See leaflet 1-6062-US for technical details



A brand of the SKF Group

**Willy Vogel AG**  
Motzener Strasse 35/37  
12277 Berlin, Germany  
P.O. Box 970444 · 12704 Berlin  
Tel. +49 (0) 30 - 720 02-0  
Fax +49 (0) 30 - 720 02-111  
info@vogel-berlin.de  
www.vogelag.com

**Willy Vogel AG**  
2. Industriestrasse 4  
68766 Hockenheim  
Germany  
Tel. +49 (0) 62 05 - 27-0  
Fax +49 (0) 62 05 - 27-132  
info@vogel-berlin.de  
www.vogelag.com

**Vogel France SAS**  
Rue Robert Amy, B.P. 70130  
49404 Saumur cedex  
France  
Tel. +33 (0) 241 404 200  
Fax +33 (0) 241 404 242  
info@vogelfrance.com  
www.vogelfrance.com